



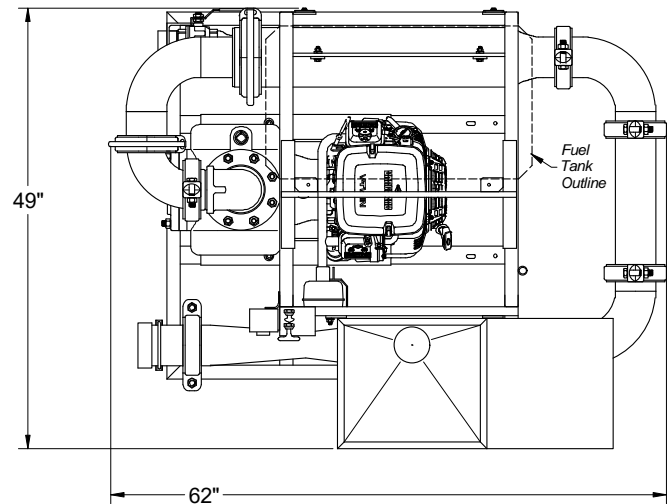
# Universal 4" Mixer Model M4-G

Surface to Surface Inc.



## Features and Benefits M4-G Mixer

The M4-G universal mixer is designed around the time proven M series mixers of STS. Powered by an 23 hp air-cooled gasoline engine driving a 4" centrifugal pump, it makes effective use of the proprietary 4 point mixing system. The M4-G can be used as a new installation or retrofitted into an existing system of tank(s). Since the unit is connected by hose and not hard pipe, the placement of the mixer verses the tank(s) is less restricted and a configuration to suit the needs of the contractor are easier to achieve. The small size also makes it a portable, independent unit that is easier to transport from site to site.



### Specifications

Dimensions  
Weight  
Hopper Height  
Mixing System  
Flow Valves  
Skid Frame  
Engine  
Pump  
Pump Coupling  
Vacuum Port  
Pipe Couplers  
Pressure Wand  
Internal Tank Jets

### M4-G Mixer

49" W x 62" L x 52" H  
900 Lbs  
38" High  
4" Proprietary StS Mixing System  
Brass and Steel construction  
1½" steel tube with Lifting bale  
23 hp air-cooled, electric start  
4" Cast iron centrifugal trash pump  
Direct coupled engine & pump  
2" NPT Inlet  
Bolt & Snap-groove type  
Hopper maintenance wand  
TurboMix™ Eductor Nozzles

### Benefits

Small space saving footprint.  
Light weight for easy transportation.  
Waist high hopper reduces back strain.  
Fast & efficient with high shearing ability.  
Withstand the abuse of daily operations  
Built tough for the construction trade.  
Industrial rated for longer service life.  
Rugged & repairable for extended service life.  
No expensive couplers or inserts to replace.  
Draw Fluid into system without additional pump.  
Fast cold weather draining of system.  
Removal of blockages caused by additive.  
Fast and effective rolling and mixing action.

Also available in Diesel (M4-D), Electric (M4-E) or Hydraulic (M4-H) models.

\*\*\* All Specifications Subject to Change Without Notice \*\*\*

Check our website for the latest products and specifications

[www.stsmixers.com](http://www.stsmixers.com)

Surface to Surface Inc.

5150 Forest Road, R.R.#3, Watford, Ontario, N0M 2S0  
Tel: 1-800-567-0978

07/21/20