



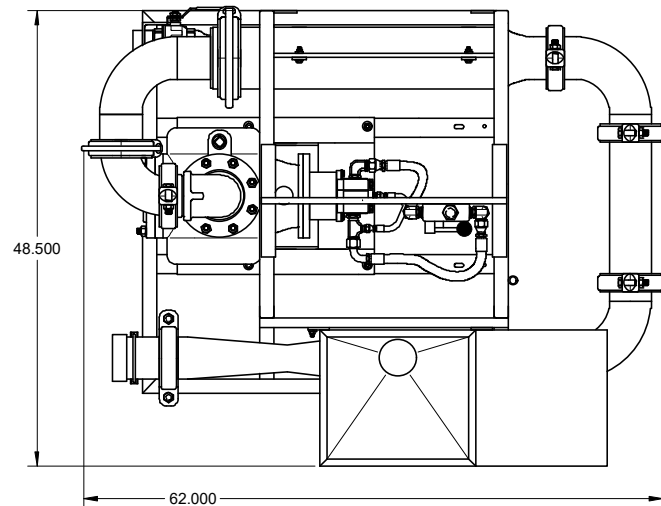
Universal 4" Mixer Model M4-H

Surface to Surface Inc.



Features and Benefits M4-H Mixer

The M4-H universal mixer is designed around the time proven M series mixers of STS. Powered by the customer's own power source. A 17gpm. hydraulic motor drives a 4" centrifugal pump, making effective use of the proprietary 4 point mixing system. The M4-H can be used as a new installation or retrofitted into an existing system of tank(s). Since the unit is connected by hoses and not hard pipe, the placement of the mixer versus the tank(s) is less restricted and a configuration to suit the needs of the contractor is easier to achieve. The small size also makes it a portable, independent unit that is easier to transport from site to site.



Specifications

- Dimensions
- Weight
- Hopper Height
- Mixing System
- Flow Valves
- Skid Frame
- Hydraulic gear motor
- Hydraulic valve
- Hydraulic system
- Pump
- Pump Coupling
- Vacuum Port
- Pipe Couplers
- Pressure Wand
- Internal Tank Jets

M4-H Mixer

- 48 1/2" W x 62" L x 49" H
- 625 Lbs. (284 Kg.)
- 38" High
- 4" Proprietary StS Mixing System
- Brass and Steel construction
- 1 1/2" steel tube with Lifting bale
- Requires 17gpm. @ 1800psi
- Variable speed controller
- Open loop circuit
- 4" Cast iron centrifugal trash pump
- Hyd. Motor direct to Bearing Block
- 2" NPT Inlet
- Bolt & Snap-groove type
- Hopper maintenance wand
- TurboMix™ Eductor Nozzles

Benefits

- Small space saving footprint.
- Light weight for easy transportation.
- Waist high hopper reduces back strain.
- Fast & efficient with high shearing ability.
- Withstand the abuse of daily operations
- Built tough for the construction trade.
- Use your own power source, no fumes in truck body
- Allow mixing at various speeds
- Simple, field repairable, less maintenance
- Rugged & repairable for extended service life.
- No expensive couplers or inserts to replace.
- Draw Fluid into system without additional pump.
- Fast cold weather draining of system.
- Removal of blockages caused by additive.
- Fast and effective rolling and mixing action.

Also available in Diesel (M4-D), Electric (M4-E) or Gasoline (M4-G) models.

Check our website for the latest products and specifications
www.stsmixers.com

Surface to Surface Inc.

5150 Forest Road, R.R.#3, Watford, Ontario, N0M 2S0
Tel: 1-800-567-0978

09/19/12