



Bentonite Mud Mixer Model M-750E

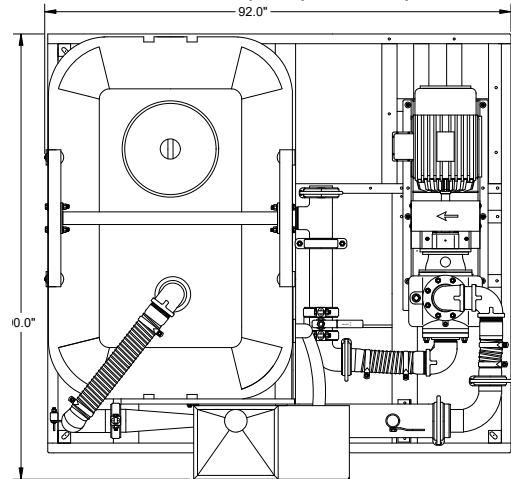
Surface to Surface Inc.



Features and Benefits

M-750E Mixer

The M-750E with its rectangular loaf shaped Roto-Mold tank, is a space saving design with almost square footprint dimensions. Powered by an 20 hp Teco/Westinghouse® electric motor, driving a 4 inch centrifugal pump, making effective use of the proprietary StS mixing system, this Bentonite Mud Mixer is capable of providing 750 gallons of full yield mud to your drill rig in less then eight (8) minutes. Added benefits to this unit include the ability to draw water from a second tank and send mud to your drilling rig or storage tank without the use of a second pump. Other power drives available.



Specifications

M-750E Mixer

| | |
|------------------------|--------------------------------------|
| Dimensions | 92"W x 90"L x 75"H |
| Approx. Weight | 2250 lbs. |
| Hopper Height | 39 inches high |
| Mixing System | 4" Proprietary StS Mixing System |
| Mixing Tank | 750 gallon Roto-Mold Polyethylene |
| Skid frame | 5" Steel Channel, Welded |
| Electric Motor | 20 HP Teco / Westinghouse® 360V/460V |
| Pump | 4" Cast Iron Centrifugal Trash Pump |
| Pump /Motor Connection | Bearing Block to Lovejoy® Coupler |
| Pipe Couplers | Bolt and Snap –Groove Type |
| Pressure Wand | Hopper Maintenance Wand |
| Tank Drain | Bottom Tank Drain Supplied |

Benefits

- Fits any 8' flat deck and makes efficient use of available space.
- Waist high hopper reduces back strain.
- Fast, efficient mixing time (8 min. mix).
- Minimal maintenance required.
- Built for the rigors of the construction trade.
- Industrial rated for longer service life.
- Rugged & Repairable for extended service life.
- Large bearings & oversized coupler (service life)
- Provide fast cold weather maintenance.
- Removal of blockages caused by additives.
- Provides fast cold weather tank drainage.

Also available in Hydraulic (M-750H) - Diesel (M-750D) - Gasoline (M-750G) models.

*** All Specifications Subject to Change Without Notice ***

Check our website for the latest products and specifications
www.stsmixers.com

05/03/10

Surface to Surface Inc.
5150 Forest Road, R.R.#3, Watford, Ontario, N0M 2S0
Tel: 1-800-567-0978