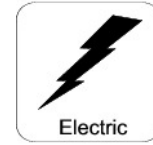




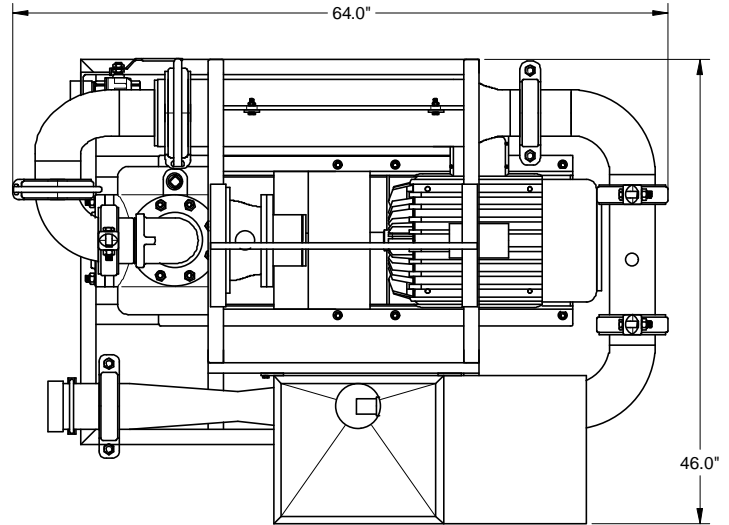
# Universal 4" Mixer Model M4-E

**Surface to Surface Inc.**



## Features and Benefits M4-E Mixer

The M4-E universal mixer is designed around the time proven M series mixers of STS. Powered by a 20 hp Teco/Westinghouse electric motor, driving a 4" centrifugal pump, it makes effective use of the proprietary 4 point mixing system. The M4-E can be used as a new installation or retrofitted into an existing system of tank(s). Since the unit is connected by hose and not hard pipe, the placement of the mixer verses the tank(s) is less restricted and a configuration to suit the needs of the contractor are easier to achieve. The small size also makes it a portable, independent unit that is easier to transport from site to site.



### Specifications

### M4-E Mixer

|                    |                                     |
|--------------------|-------------------------------------|
| Dimensions         | 46" W x 64" L x 49" H               |
| Weight             | 1275 Lbs                            |
| Hopper Height      | 38" High                            |
| Mixing System      | 4" Proprietary StS Mixing System    |
| Flow Valves        | Brass and Steel construction        |
| Skid Frame         | 1½" steel tube with Lifting bale    |
| Electric Motor     | 20 HP Teco / Westinghouse 230V/460V |
| Pump               | 4" Cast iron centrifugal trash pump |
| Pump Coupling      | Bearing Block to Lovejoy® Coupler   |
| Vacuum Port        | 2" NPT Inlet                        |
| Pipe Couplers      | Bolt & Snap-groove type             |
| Pressure Wand      | Hopper maintenance wand             |
| Internal Tank Jets | TurboMix™ Eductor Nozzles           |

### Benefits

- Small space saving footprint.
- Light weight for easy transportation.
- Waist high hopper reduces back strain.
- Fast & efficient with high shearing ability.
- Withstand the abuse of daily operations
- Built tough for the construction trade.
- Industrial rated for longer service life.
- Rugged & repairable for extended service life.
- Large bearings & oversized coupler (service life)
- Draw Fluid into system without additional pump.
- Fast cold weather draining of system.
- Removal of blockages caused by additive.
- Fast and effective rolling and mixing action.

**Also available in Diesel (M4-D), Gasoline (M4-G) or Hydraulic (M4-H) models.**

\*\*\* All Specifications Subject to Change Without Notice \*\*\*

Check our website for the latest products and specifications

**www.stsmixers.com**

**Surface to Surface Inc.**

5150 Forest Road, R.R.#3, Watford, Ontario, N0M 2S0  
Tel: 1-800-567-0978

03/03/11