



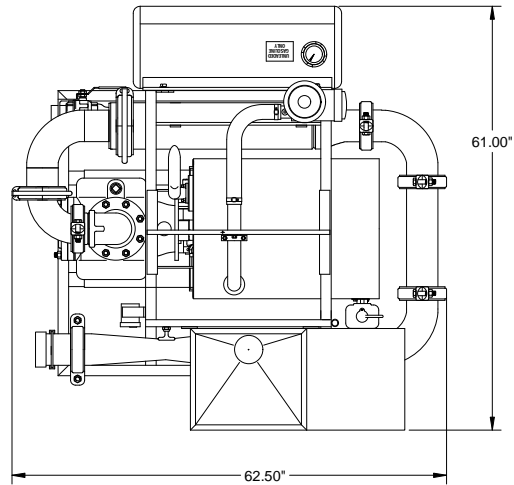
Universal 4" Mixer Model M4-D

Surface to Surface Inc.



Features and Benefits M4-D Mixer

The M4-D universal mixer is designed around the time proven M series mixers of STS. Powered by a 22 hp water-cooled Diesel engine driving a 4" centrifugal pump, it makes effective use of the proprietary 4 point mixing system. The M4-D can be used as a new installation or retrofitted into an existing system of tank(s). Since the unit is connected by hose and not hard pipe, the placement of the mixer verses the tank(s) is less restricted and a configuration to suit the needs of the contractor are easier to achieve. The small size also makes it a portable, independent unit that is easier to transport from site to site.



Specifications

Dimensions
Weight
Hopper Height
Mixing System
Flow Valves
Skid Frame
Engine
Pump
Pump Coupling
Vacuum Port
Pipe Couplers
Pressure Wand
Internal Tank Jets

M4-D Mixer

61" W x 62 1/2" L x 49" H
1375 Lbs
38" High
4" Proprietary StS Mixing System
Brass and Steel construction
1 1/2" steel tube with Lifting bale
21.9 hp water-cooled, electric start
4" Cast iron centrifugal trash pump
Direct coupled engine & pump
2" NPT Inlet
Bolt & Snap-groove type
Hopper maintenance wand
TurboMix™ Eductor Nozzles

Benefits

Small space saving footprint.
Light weight for easy transportation.
Waist high hopper reduces back strain.
Fast & efficient with high shearing ability.
Withstand the abuse of daily operations
Built tough for the construction trade.
Industrial rated for longer service life.
Rugged & repairable for extended service life.
No expensive couplers or inserts to replace.
Draw Fluid into system without additional pump.
Fast cold weather draining of system.
Removal of blockages caused by additive.
Fast and effective rolling and mixing action.

Also available in Gasoline (M4-G), Electric (M4-E) or Hydraulic (M4-H) models.

*** All Specifications Subject to Change Without Notice ***

Check our website for the latest products and specifications

www.stsmixers.com

Surface to Surface Inc.

5150 Forest Road, R.R.#3, Watford, Ontario, N0M 2S0
Tel: 1-800-567-0978

11/17/11