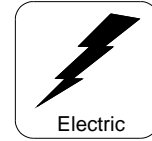




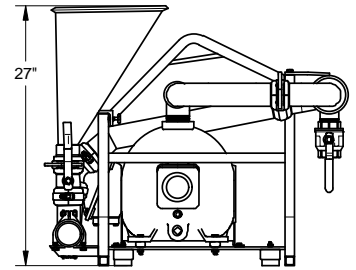
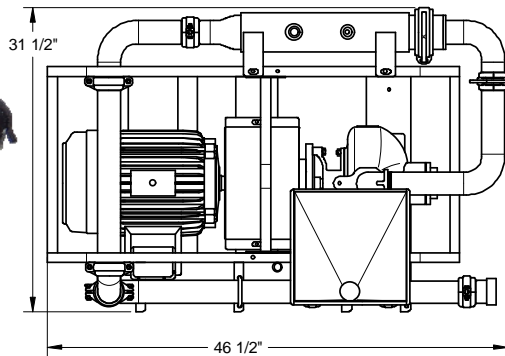
Universal 2" Mixer Model M2-E

Surface to Surface Inc.



Features and Benefits M2-E Mixer

The M2-E universal mixer is designed around the time proven M series mixers of STS. Powered by a 10HP Teco/Westinghouse electric motor, driving a 2" centrifugal pump, making effective use of the proprietary 4 point mixing system. The M2-E may be used as a new installation or retrofitted into an existing system of tank(s). Since the unit is connected by hoses and not hard pipe, the placement of the mixer versus the tank(s) is less restricted and a configuration to suit the needs of the contractor is easier to achieve. The small size also makes it a portable, independent unit that is easier to transport from site to site.



Specifications

Dimensions	M2-E922 Mixer
Weight	31 1/2" W x 46 1/2" L x 27" H
Hopper Height & Size	460 lbs. (209 Kg)
Mixing System	27" High Holds 1/2 of a bag
Flow Valves	2" Proprietary StS Mixing System
Skid Frame	Brass and Steel construction
Motor	1" steel tube with lifting bale
Pump	10 HP Teco 230V/460V 60Hz
Pump / Motor Connection	2" Cast iron centrifugal trash pump
Pipe Couplers	Bearing Block to Lovejoy® Coupler
Pressure Wand	Bolt & Snap-groove type
Internal Jet Guns (supplied)	Hopper maintenance wand
Mechanical Seal	Eductor Nozzles (5-1 fluid output)
Replaceable Wear Plate	Self-Pressurizing Grease Seal
	Hardened plate ahead of Impeller

Benefits

- Small space saving footprint.
- Light weight for easy transportation.
- Low hopper height reduces back strain.
- Fast & efficient with high shearing ability.
- Withstand the abuse of daily operations
- Built tough for the construction trade.
- Industrial rated for longer service life
- Gorman-Rupp 80 series
- Large bearings & oversized coupler (service life)
- Fast cold weather draining of system.
- Removal of build-up caused by additive.
- Fast and effective rolling and mixing action.
- Greaseable seal for more rugged working conditions
- Less wear on internal pump parts and is replaceable.

With a 40 second viscosity, the M2 produces 90 gpm @ 36psi through the nozzle and 52 gpm @ 36psi to the tank internal jet guns (5-1 mixing equals 260 gpm of mixing / rolling action in tank) and a discharge rate of 80 gpm @ 36psi

Also available in Hydraulic (M2-H), Diesel (M2-D) or Gasoline (M2-G) models.

*** All Specifications Subject to Change Without Notice ***

Check our website for the latest products and specifications

www.stsmixers.com

Surface to Surface Inc.

5150 Forest Road, R.R.#3, Watford, Ontario, N0M 2S0
Tel: 1-800-567-0978

03/09/18