



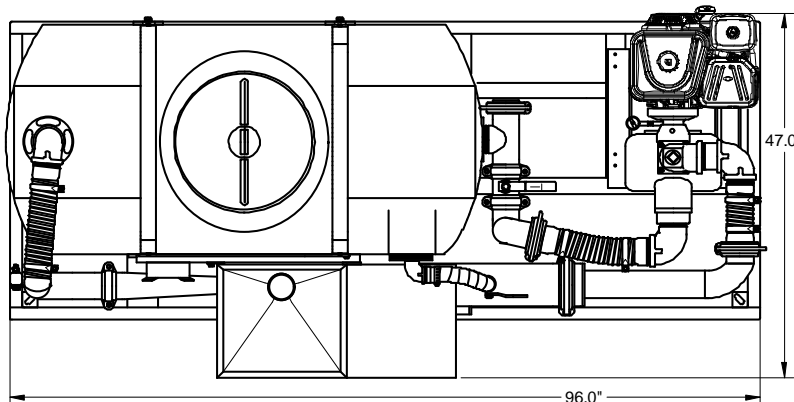
Bentonite Mud Mixer Model M-375

Surface to Surface Inc.



Features and Benefits M-375 Mixer

The M-375 replaces the original Sam-Series M-300 Mixer. It is designed and manufactured primarily for the HDD mini size drill rigs and tunnelers, as an alternative to using plain water. Powered by a 10 hp air-cooled gasoline engine, driving a 3" centrifugal pump that makes effective use of the proprietary 4 point mixing system, has what it takes to be fast. This Bentonite mud mixer is capable of providing 375 gallons of full yield mud to your drill rig in less than 5 minutes. The compact unit can be transported to the job site in a standard 8' pickup box.



Specifications

Dimensions
Weight
Hopper Height
Mixing System
Mixing Tank
Skid Frame
Engine
Pump
Pump Coupling
Drill Fluid Outlet
Pipe Couplers
Pressure Wand
Tank Drain

M-375 Mixer

47" W x 96" L x 69" H
1130 Lbs
37" High
3" Proprietary StS Mixing System
375 gal Polyethylene
4" Steel channel, welded
10 hp air-cooled, manual start
3" Cast iron centrifugal trash pump
Direct coupled engine & pump
1 1/2" NPT with Full Flow Ball Valve
Bolt & Snap-groove type
Hopper maintenance wand
Bottom tank drain supplied

Benefits

Small space saving footprint.
Light weight for easy transportation.
Waist high hopper reduces back strain.
Fast & efficient (5 min. mixing).
Minimal maintenance required.
Built tough for the construction trade.
Industrial rated for longer service life.
Rugged & repairable for extended service life.
No expensive couplers or inserts to replace.
Large volume discharge
Fast cold weather draining of system.
Removal of blockages caused by additive.
Fast cold weather draining.

Optional bolt on lifting bale available

Also available in Electric (M-375E) Hydraulic (M-375H) Diesel (M-375D) models.

*** All Specifications Subject to Change Without Notice ***

Check our website for the latest products and specifications
www.stsmixers.com

09/24/19

Surface to Surface Inc.

5150 Forest Road, R.R.#3, Watford, Ontario, N0M 2S0
Tel: 1-800-567-0978