

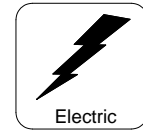


**Surface to Surface Inc.**  
Dependable & efficient mixers

**Semi-Solids Solidification Unit  
Model FL243-11-6E**

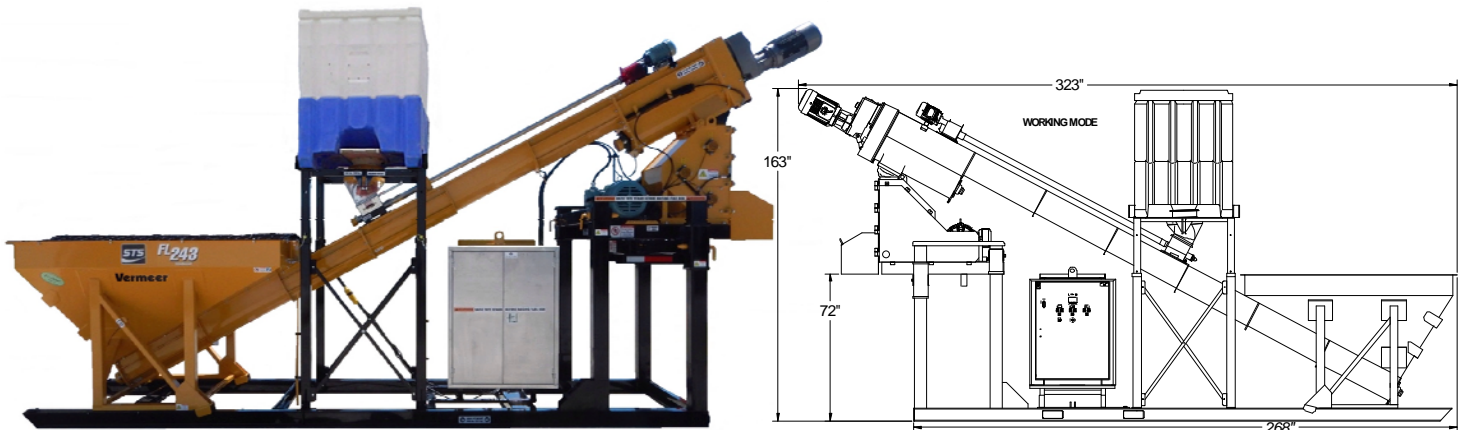
**Surface to Surface Inc.**

Features and Benefits: FL243-11-6E



The FL243 series processing unit (Patent Pending) was designed to efficiently mix a high slump material (slurry) with a minimal amount of a dry product, to create a by-product that has a low slump discharge. This by-product can now be handled as a "solid" material. Depending on the dry product used, characteristics of the "solid" by-product may lend to a secondary use or ease of disposal. The FL243 unit operates on a continuous process, not on a batch type process, which allows for larger output at days end.

The FL243 was designed for ease of set-up / teardown and can be operated by a single competent operator.



**Specifications**

**FL243-11-6E Mixer**

**Benefits**

Dimensions	Transport Mode	104" H x 336" L x 76" W
Approx. Weight	Working Mode	163" H x 323" L x 76" W
Wet Feed Hopper Height	7300lbs. (3311Kg.)	
Wet Feed Auger	72" (holds 3m <sup>3</sup> )	
Skid Frame	11" OD Hardened Flighting	
Electric Motors	6" Steel Beam, Welded	
Dry Product Flex Auger	Oversized, Fan Cooled Cast Iron 360V/460V	
Flexible Rotary Mixing	2 1/2" Open Centre, Closed Tube Auger	
Rigid Sealed Tote	Hardened Steel Flailing Chains	
Single Belt Drive	Sloped Bottom Tote with Knife Valve	
Ground Level Operation	Industrial Grade Double Sided Cogged Belt	
	Control Panel & Daily Greasing Ground Level	

- Small sized equipment to load wet hopper.
- Large solids pass thru & extended wear.
- Built for the rigors of the construction trade.
- Industrial rated for longer service life.
- Able to handle a multitude of dry products.
- No prescreening of Sludge/Slurry required.
- Weatherproof storage /discharge of dry product.
- Positive drive, no slip, longer wear life.
- No Climbing to operate or maintain the unit.

**Also available in Diesel / Hydraulic (FL243-11-6H) model.**

\*\*\* All Specifications Subject to Change Without Notice \*\*\*

Check our website for the latest products and specifications

**www.stsmixers.com**

**Surface to Surface Inc.**

5150 Forest Road, R.R.#3, Watford, Ontario, N0M 2S0  
Tel: 1-800-567-0978

09/27/17