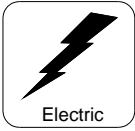




Bentonite Mud Mixer Model M-750E

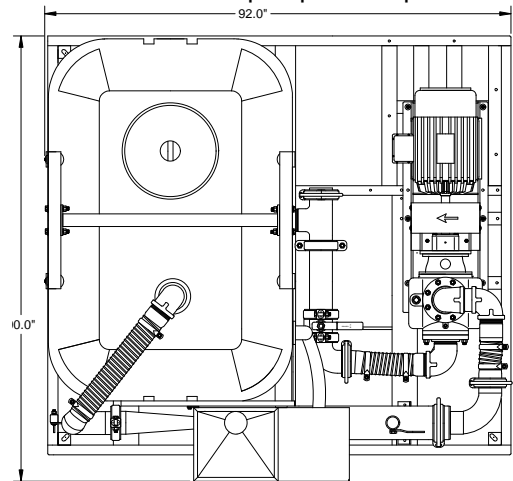
Surface to Surface Inc.



Features and Benefits

M-750E Mixer

The M-750E with its rectangular loaf shaped Roto-Mold tank, is a space saving design with almost square footprint dimensions. Powered by an 20 hp Teco/Westinghouse® electric motor, driving a 4 inch centrifugal pump, making effective use of the patented StS mixing system, this Bentonite Mud Mixer is capable of providing 750 gallons of full yield mud to your drill rig in less than eight (8) minutes. Added benefits to this unit include the ability to draw water from a second tank and send mud to your drilling rig or storage tank without the use of a second pump. Other power drives available.



Specifications

M-750E Mixer

Dimensions	92"W x 90"L x 75"H
Approx. Weight	2250 lbs.
Hopper Height	39 inches high
Mixing System	4" Patented StS Mixing System
Mixing Tank	750 gallon Roto-Mold Polyethylene
Skid frame	5" Steel Channel, Welded
Electric Motor	20 HP Teco / Westinghouse® 360V/460V
Pump	4" Cast Iron Centrifugal Trash Pump
Pump /Motor Connection	Bearing Block to Lovejoy® Coupler
Pipe Couplers	Bolt and Snap –Groove Type
Pressure Wand	Hopper Maintenance Wand
Tank Drain	Bottom Tank Drain Supplied

Benefits

- Fits any 8' flat deck and makes efficient use of available space.
- Waist high hopper reduces back strain.
- Fast, efficient mixing time (8 min. mix).
- Minimal maintenance required.
- Built for the rigors of the construction trade.
- Industrial rated for longer service life.
- Rugged & Repairable for extended service life.
- Large bearings & oversized coupler (service life)
- Provide fast cold weather maintenance.
- Removal of blockages caused by additives.
- Provides fast cold weather tank drainage.

Also available in Hydraulic (M-750H) - Diesel (M-750D) - Gasoline (M-750G) models.

Check our website for the latest products and specifications
www.stsmixers.com

Surface to Surface Inc.

5150 Forest Road, R.R.#3, Watford, Ontario, N0M 2S0
 Tel: 1-800-567-0978

05/03/10