



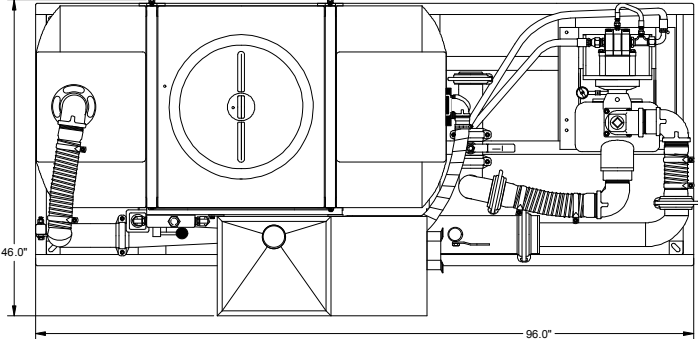
# Bentonite Mud Mixer Model M-300H

**Surface to Surface Inc.**



**Features and Benefits M-300H Mixer**

The M-300H was the original Sam-Series Mixer, designed and manufactured primarily for the mini size drill rigs as an alternative to using plain water. Powered by the customer's own power source. A 10gpm. hydraulic motor drives a 3" centrifugal pump, making effective use of the patented StS mixing system. This Bentonite mud mixer is capable of providing 300 gallons of full yield mud to your drill rig in less than 5 mins. The compact unit can be transported to the job site in a standard 8' pickup box.



**Specifications**

- Dimensions
- Weight
- Hopper Height
- Mixing System
- Mixing Tank
- Skid Frame
- Hydraulic Gear Motor
- Hydraulic Valve
- Hydraulic system
- Pump
- Pump Coupling
- Drill Fluid Outlet
- Pipe Couplers
- Pressure Wand
- Tank Drain

**M-300H Mixer**

- 46" W x 96" L x 61" H
- 1135 Lbs
- 37" High
- 3" Patented StS Mixing System
- 300 gal Polyethylene
- 4" Steel channel, welded
- Requires 10gpm. @ 1800psi
- Variable speed controller
- Open loop circuit
- 3" Cast iron centrifugal trash pump
- Hyd. Motor direct to Bearing Block
- 1 1/2" NPT with Full Flow Ball Valve
- Bolt & Snap-groove type
- Hopper maintenance wand
- Bottom tank drain supplied

**Benefits**

- Small space saving footprint.
- Light weight for easy transportation.
- Waist high hopper reduces back strain.
- Fast & efficient ( 5 min. mixing ).
- Minimal maintenance required.
- Built tough for the construction trade.
- Use your own power source, no fumes in truck body
- Allow mixing at various speeds.
- Simple, field repairable, less maintenance
- Rugged & repairable for extended service life.
- No expensive couplers or inserts to replace.
- Large volume discharge
- Fast cold weather draining of system.
- Removal of blockages caused by additive.
- Fast cold weather draining.

Also available in Electric (M-300E) Gasoline (M-300G) Diesel (M-300D) models.  
 \*\*\* All Specifications Subject to Change Without Notice \*\*\*

Check our website for the latest products and specifications  
[www.stsmixers.com](http://www.stsmixers.com)

**Surface to Surface Inc.**

5150 Forest Road, R.R.#3, Watford, Ontario, N0M 2S0  
 Tel: 1-800-567-0978

02/22/12